

Interlaken road thoughts.

I rode around this past week with Bob Henry. Bob is a second homeowner who owns an asphalt company in Houston Texas. Bob was here over the 4<sup>th</sup> of July and called to offer his help and expertise. We drove most of the town, but concentrated on Interlaken Drive. Below are the main highlights of our conversations.

1. Crack Seal is the number one job that can save our roads. Depending on budget, every year is best, but definitely every other year.
2. Budget each year for repairs as costs will determine how much can be repaired.
3. Start in the worst areas of Interlaken Drive repairing sinking areas and where the asphalt is cracked. Roto milling 2 inches off the top and replacing with 2 inches of new blacktop.
4. Patching needs to be larger than the actual hole as unseen damage exists further from the area. This will cut down on the number of joints that need crack sealed.
5. Large cracks in the roads (similar to expansion joints) need to be cleaned and sealed each year.
6. Speed bumps, if we are trying to deter speeding, need to be more like the 2 asphalt "speed humps". The seasonal type we have do not work to stop speeding. We also need to fill and seal the screw holes after we remove the units in the fall so water will not get into the holes and cause issues. We also discussed using electronic speed machines to see how many drivers are speeding to see where speeding is the most prevalent.
7. Talk with several asphalt companies and explain the amount of work that needs to be done. Knowing they will be back each year, may make their bids more competitive.
8. Make sure we get our road use fees from Burgi Ranches and "The Reserves" when they come online.

There is a lot of work needs to be done and we need to develop a plan with an idea of costs and what is feasible for Interlaken to budget each year.



► Model SST3-MV

## Remotely Selectable Electronic Siren

SST3-MV is an electronic siren capable of producing three different high decibel tones from the same unit.

Model SST3-MV features internal amplification and the circuitry required to produce three different tones. The user activates each tone (wail, yelp or horn) with dry contacts from a remote point.

The NEMA 3R housing is molded from impact resistant plastic, making it resistant to ultra-violet light and ideal for indoor or outdoor use.

The omni-directional swivel mount system allows the output to be pointed anywhere within a 180 degree half-sphere.

Model SST3-MV can be used as a stand-alone, high-output, audible warning device in any application where multiple tones are needed but voice paging is not required.

Typical applications include emergency warning, start and dismissal, fire alarm, general alarm and evacuation.

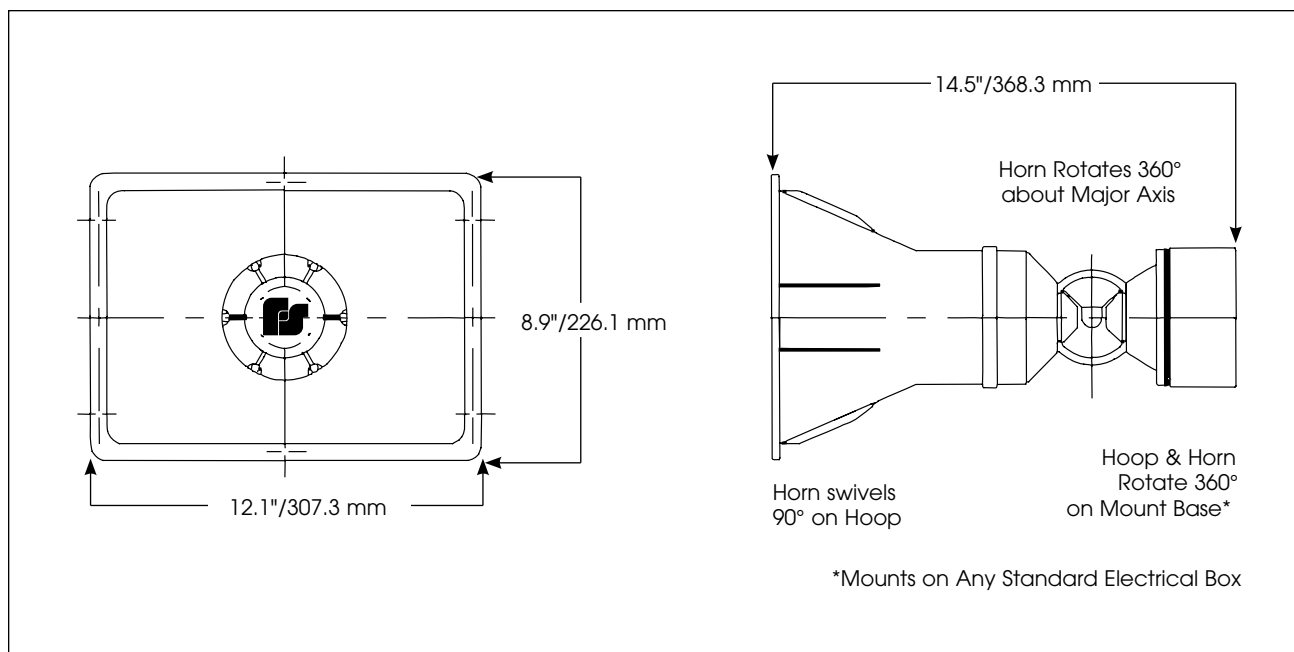
### FEATURES

- Multi-voltage design accepts 24VDC and 120/240VAC
- Produces three tones: wail, yelp and horn
- Produces 107-111 dBa @ 10' (117-121 dBa @ 1m)
- Omni-directional swivel mount
- Indoor/outdoor use
- Type 3R enclosure (with model WB back box)
- UL and cUL Listed

MODEL	VOLTAGE	OPERATING CURRENT
<b>SST3-MV</b>	24VDC	600 mA
	120VAC	210 mA
	240VAC	120 mA

TONE	DECIBELS	
	10'	1M
Wail	109.5	119.5
Yelp	111.0	121.0
Horn	107.0	117.0

## Remotely Selectable Electronic Siren (SST3-MV)



### SPECIFICATIONS

Operating Temperature:	-31°F to 151°F	-35°C to 66°C
Maximum Contact Resistance:		1000 Ohms
Shipping Weight:	5.2 lbs	2.4 kg
Net Weight:	4.4 lbs	2.0 kg
Height:	8.9"	226.1 mm
Width:	12.1"	307.3 mm
Depth:	14.5"	368.3 mm

### HOW TO ORDER

#### Specify Model:

**SST3-MV** – Electronic multi-voltage siren

### OPTIONAL ACCESSORIES

Description	Part Number
Weatherproof Back Box	WB

### REPLACEMENT PARTS

Description	Part Number
Connector, 4-Position	K140340B
Adapter (Gray)	K8476121A-04
PC Board Assembly	K2005110A
Gasket	K8476122A
Speaker Assembly	K8504002A

CED - SALT LAKE CITY  
 1819 SOUTH 900 WEST  
 SALT LAKE CITY UT 84104  
 TEL: 801 486-3501 FAX: 801 486-6511

CONTACT: DARRELL MITCHELL

QUOTE FOR: COD

ACCT #: V3-00030 COD

SHIP NAME: JUSTIN HIBBARD

\*  
\*

SALT LAKE CITY, UT 84104

QUOTATION		PAGE	
QUOTE #	DATE	REV #	REV DATE
1243592	07/12/21	001	07/12/21
QUOTE EXPIRES		PREPARED BY	
09/10/2021		DM	
SLS		INSL	
0120		0400	
FOB		FREIGHT	
SHIPPING POINT		PREPAID	

CUS PO #: JUSTIN
JOB NAME: JUSTIN

LN	QTY	MFR	CATALOG #	DESCRIPTION	PRICE	UOM	EXT AMT
01	1	FED	SST3MV	ELECTRONIC SIREN	625.00	E	625.00
02	1	FRT	SHIPPING/HANDLING	ESTIMATE	25.00	E	25.00
03	*		5 WORKING DAYS ARO TO SHIP				

MDSE: 650.00  
 TAX: 50.38  
 TOTAL: 700.38

PLEASE NOTE: THIS IS NOT AN OFFER TO CONTRACT, BUT MERELY A QUOTATION OF CURRENT PRICES FOR YOUR CONVENIENCE AND INFORMATION. ORDERS BASED ON THIS QUOTATION ARE SUBJECT TO YOUR ACCEPTANCE OF THE TERMS AND CONDITIONS LOCATED AT SALES.OUR-TERMS.COM, WHICH WE MAY CHANGE FROM TIME TO TIME WITHOUT PRIOR NOTICE. WE MAKE NO REPRESENTATION WITH RESPECT TO COMPLIANCE WITH JOB SPECIFICATIONS.